



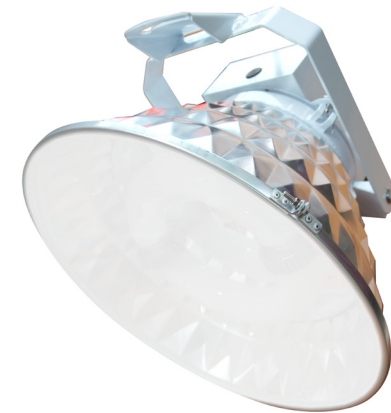
● LED Lighting (LED 조명)

## LED Flood Light

**LONG LIFE LED APPLIED**  
R U N A L U X - v e r . 1 0

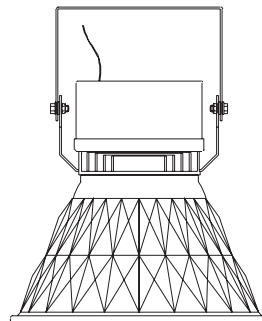
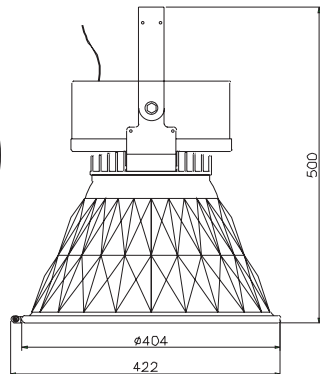
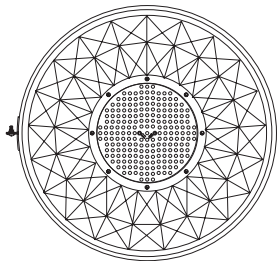
runalux lighting provide competitive price and unique design as well as environmentally friendly atmosphere to maximize product value

Ⓐ



Ⓐ RunaLux :

HSFL-DA60 / CA90



### ► FUNDAMENTAL HSFL-DA60

Rated Input Voltage (입력전압)	AC110-220V
LED PowerConsumption (소비전력)	60W
Type(Lens)	clear
Luminous Flux(광속)	4800 lm
CCT (색온도)	6000K(CW) , 3500K(WW)
Size (mm)	ø 404X500
CRI (연색성)	min 75
Weight (무게)	5 kg
Life Time (Hrs)	50,000

### ► FUNDAMENTAL HSFL-CA90

Rated Input Voltage (입력전압)	AC110-220V
LED PowerConsumption (소비전력)	90W
Type(Lens)	clear
Luminous Flux(광속)	7200 lm
CCT (색온도)	6000K(CW) , 3500K(WW)
Size (mm)	ø 404X500
CRI (연색성)	min 75
Weight (무게)	5 kg
Life Time (Hrs)	50,000