

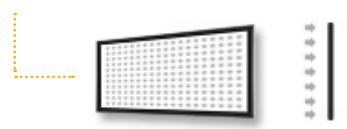


● LED Lighting (LED 조명)

LED Flat Panel Light (vertical 직하형 타입)

LONG LIFE LED APPLIED
R U N A L U X - v e r . 1 0

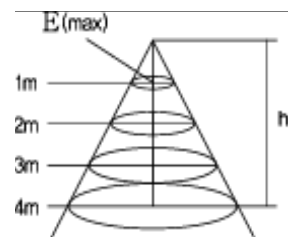
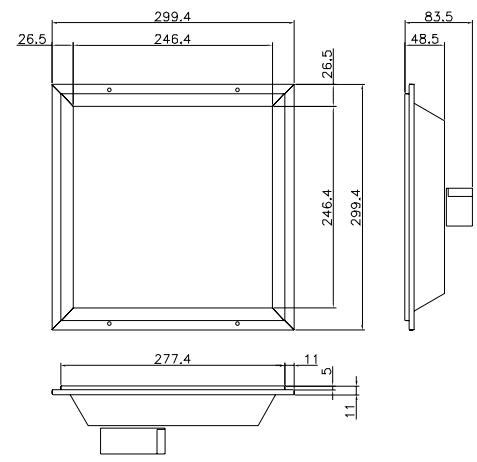
- eco-Friendly : RoHs compliant
- High-efficiency : over 50,000 Hour Life
- vertical



Ⓐ



Ⓐ RunaLux : HS-HV330 (vertical)



H(M)	D(lx)
1	432
2	108
3	48
4	27

► FUNDAMENTAL

Rated Input Voltage (입력전압)	AC100~240V, 50/60Hz
LED PowerConsumption (소비전력)	18W
Luminous Flux(광속)	1,440lm
CCT (색온도)	6000K(CW) , 3500K(WW)
CRI (연색성)	min 80/85/90
Beam Angle (빔각도)	120°
Operating Temperature (동작 온도)	-20°C~85°C
Out Dimension (W x H x T)	299.4mm x 299.4mm x 48.5mm
Weight (무게)	2.3 kg
Control method	IR Remote controller (※DALI Dimming)
IP	30

※Power supply : UL,CE Registered Certificates